

CVM Manufacturing Works has developed the line of roof fan curbs for installation of roof fans of its own making.

Roof fan curbs CK (SK, square roof fan curb), CKK (SKK, round room fan curb), CKY (SKU, heat-insulated roof fan curb), and CKШ (SKSh, sound suppressing square roof fan curb) have been developed with consideration for connecting dimensions of roof fan curbs series C (S) and СБ (SB) developed by the State Industrial Complex and R&D Establishment "SantekhNIIproekt" recommended and previously implemented in the "Promventilyatsiya" system.

CK (SK) roof fan curbs are designed as rigid welded assembly in the form of a hollow square (in plan view). Fan is supported by upper flange made of hot-rolled angle sections with welded outward M12 pins. Roof fan curbs are based on a plate of wider area for mounting on load-bearing elements of a roof.

CKШ (SKSh) roof fan curbs differ from CK (SK) by sound absorbing material applied to the side walls and pressing mesh (sound trap). Besides, CKШ 700 (SKSh 700) and CKШ 1000 (SKSh 1000) are fitted with cartridges with sound absorbing material (splitter silencer). All roof fan curbs have protective decorative coating.

Sound-suppression ability of CKШ (SKSh) curbs L [dB] are presented in the table below:

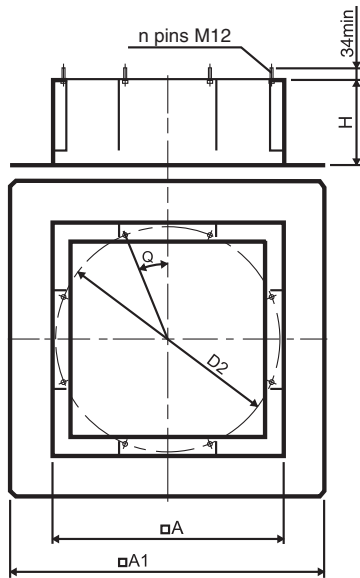


Fig. 1

Roof Fan Curb Type	Octave Bandwidth [Hz]								
	31	63	125	250	500	1000	2000	4000	8000
CKШ 400	1	3	6	11	17	18	14	9	7
CKШ 515	1	2	5	8	13	14	11	7	6
CKШ 630	1	2	3	6	9	9	7	5	4
CKШ 700	0	2	4	6	13	16	17	15	12
CKШ 1000	0	2	4	6	13	16	17	15	12

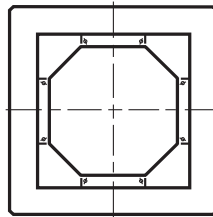


Fig. 2

See more on Fig. 1

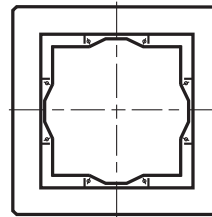


Fig. 3

See more on Fig. 1

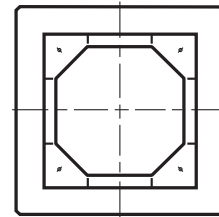


Fig. 4

See more on Fig. 1

No.	Curb Type	Fig.	Dimensions [mm]						Weight [kg]
			D2	A	A1	H	Q	n	
1	CK400	3	470	414	588	400	45°	4	23
3	CK515	3	585	494	770	400	45°	4	30
4	CK515-01	1	615	484	770	400	45°	4	29
5	CK630	2	665	674	960	400	22°30'	8	42
6	CK700	2	772	806	1096	400	22°30'	8	52
7	CK700-01	3	772	806	1096	400	22°30'	8	51
8	CK1000	1	1072	1042	1326	1000	22°30'	8	123
9	CK1000-01	2	1072	1042	1326	1000	22°30'	8	124
10	CK1000-02	4	1188	1042	1326	400	45°	4	62
12	CK1200	3	1272	1290	1572	1000	22°30'	8	196
13	CK1200-01	2	1272	1290	1572	1000	22°30'	8	200
15	CK1450	1	1522	1510	1792	600	22°30'	8	187
16	CK1450-01	2	1522	1510	1792	600	22°30'	8	191
17	CK1588	2	1757	1738	2020	400	22°30'	8	194
18	CK1772	2	1957	1922	2204	400	22°30'	8	210
19	CKШ400	1	470	404	588	500	45°	4	20
20	CKШ515	1	585	484	770	500	45°	4	37
21	CKШ515-01	1	615	484	770	500	45°	4	37
22	CKШ630	2	665	674	958	500	22°30'	8	55
23	CKШ700	2	772	806	1096	800	22°30'	8	114
24	CKШ1000	2	1072	1042	1326	800	22°30'	8	176
25	CKШ1000-02	4	1188	1042	1326	800	45°	4	178

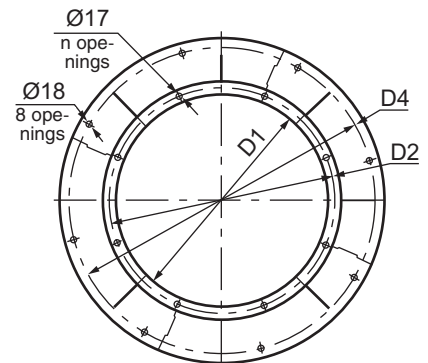
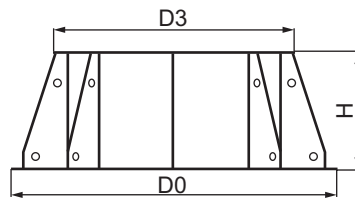
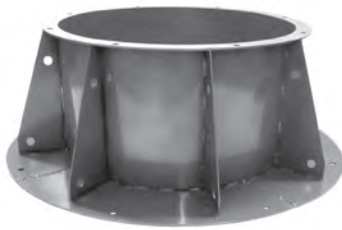
Note:

1) Curbs may be optionally manufactured of any height. There is option for curbs mounted on inclined roof.

CKY (SKU) Heat-Insulated Roof Fan Curbs

No.	Roof Fan Curb Type	Fig.	Dimensions [mm]						Weight [kg]
			D2	A	A1	H	Q	n	
1	CKY400	3	470	414	588	500	45°	4	26
2	CKY515	3	585	494	770	500	45°	4	35
3	CKY515-01	1	615	484	770	500	45°	4	35
4	CKY630	2	665	674	958	500	22°30'	8	53
5	CKY700	2	772	806	1096	400	22°30'	8	56
6	CKY700-01	3	772	806	1096	400	22°30'	8	55
7	CKY1000	3	1072	1042	1326	1000	22°30'	8	129
8	CKY1000-01	2	1072	1042	1326	1000	22°30'	8	130
9	CKY1000-02	4	1118	1042	1326	400	45°	4	68
10	CKY1200	3	1272	1290	1572	1000	22°30'	8	206
11	CKY1200-01	2	1272	1290	1572	1000	22°30'	8	210
12	CKY1450	1	1522	1510	1792	600	22°30'	8	218
13	CKY1450-01	2	1522	1510	1792	600	22°30'	8	225
14	CKY1588	2	1757	1738	2020	400	22°30'	8	216
15	CKY1772	2	1957	1922	2204	400	22°30'	8	235

CKK (SKK) Round Roof Fan Curbs

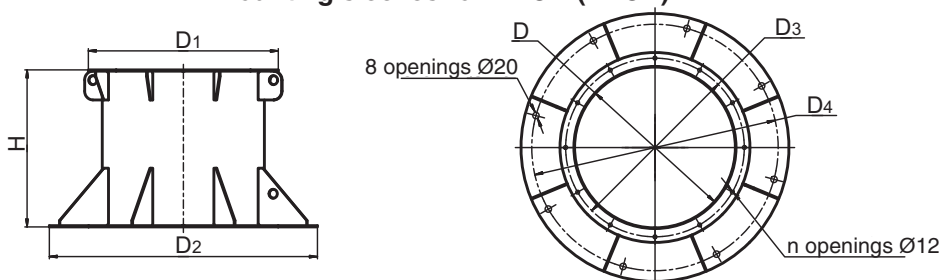


Roof Fan Curb Type	Dimensions [mm]						n	Weight [kg]
	D1	D2	D3	D4	D0	H		
CKK 400	400	470	510	560	600	400	4	12,5
CKK 515	476	585	630	730	770	400	4	24
CKK 630	616	665	710	890	950	400	8	39
CKK 700	716	772	810	1030	1100	400	8	47
CKK1000	1016	1072	1140	1280	1350	400	8	60
CKK1200	1214	1272	1340	1500	1570	600	8	112
CKK1450	1400	1522	1600	1800	1900	600	8	151
CKK1588	1600	1757	1830	2000	2100	400	8	142
CKK1772	1800	1957	2030	2200	2300	400	8	156

Applicability of the round Curb

Roof Fan Curb Type	Fans
СКК 400	ВРКШ-1,6; ВРКШ-2; ВКРВ-2,5ДУ; ВКРВ-2,8ДУ; ВКРВ-3,15ДУ; ВКРН-3,15ДУ; ВРКО-3,15
СКК 515	ВРКШ-2,5; ВРКШ-2,8; ВКРВ-3,55ДУ; ВКРВ-4ДУ; ВКРН3,55ДУ; ВКРН-4ДУ; ВО-21-210К-4ДУ; ВРКО-3,55; ВРКО-4
СКК 630	ВРКШ-3,15; ВРКШ-3,55; ВКРН-4,5ДУ; ВКРВ2x2,5ДУ; ВРКО-4,5
СКК 700	ВРКШ-4; ВРКШ-4,5; ВКРВ-4,5ДУ; ВКРВ-5ДУ; ВКРВ-5,6ДУ; ВКРН-5ДУ; ВКРН-5,6ДУ; ВКРН-6,3ДУ; ВКРН-7,1ДУ; ВО-21-210К-5ДУ; ВО-21-210К-6,3ДУ; ВРКО-5; ВРКО-6,3; ВРКО-7,1
СКК 1000	ВРКШ-5; ВРКШ-5,6; ВРКШ-6,3; ВКРВ-6,3ДУ; ВКРВ-7,1ДУ; ВКРН-8ДУ; ВКРН-9ДУ; ВО-21-210К-8ДУ; ВРКО-8; ВРКО-9
СКК 1200	ВКРВ-8ДУ; ВКРВ2x5ДУ; ВКРН-10ДУ; ВКРН-11,2ДУ; ВО-21-210К-10ДУ; ВРКО-10; ВРКО-11,2
СКК 1450	ВКРВ2x5,6ДУ; ВКРВ2x6,3ДУ; ВКРН-12,5ДУ; ВКРН-14ДУ; ВО-21-210К-12,5ДУ; ВРКО-12,5; ВРКО-14
СКК 1588	ВКРВ2x7,1ДУ
СКК 1772	ВКРВ2x8ДУ; ВО-21-210К-16ДУ

Mounting sleeves for КВОП (KVOP)



Fan Model	Roof Fan Curb Type	Dimensions [mm]						n	Weight [kg]
		D	D ₁	D ₂	D ₃	D ₄	H		
КВОП-5	СК-К-500	504	595	840	560	772	492	12	29
	СК-КО-500								34
	СКУ-КО-500								62
КВОП-6,3	СК-К-630	634	730	1140	690	1072	620	12	52
	СК-КО-630								58
	СКУ-КО-630								118
КВОП-8	СК-К-800	810	900	1140	860	1072	800	16	56
	СК-КО-800								69
	СКУ-КО-800								165
КВОП-10	СК-К-1000	1010	1110	1340	1070	1272	1000	16	83
	СК-КО-1000								106
	СКУ-КО-1000								280
КВОП-12,5	СК-К-1250	1260	1360	1590	1320	1522	1200	16	180
	СК-КО-1250								200
	СКУ-КО-1250								456

Recommendations on Roof Fans Installation

Roof fans shall be mounted from the roofing.

As an example, Fig. 1 demonstrates mounting of ВРКШ (VRKSh) fan on СК (SK) roof fan curb, and Fig. 2 demonstrates mounting on СКШ (SKSh) roof fan curb.

Fan Mounting on СК (SK) and СКШ (SKSh) Roof Fan Curbs

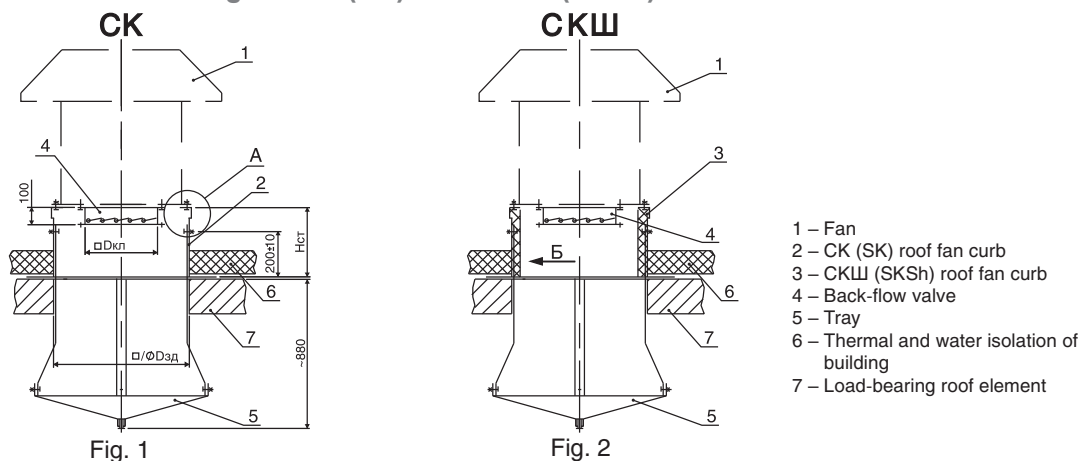


Fig. 1

Fig. 2

Prior to installation check correspondence of roof fan curb configuration to the mounting fan. Curb shall be mounted in an upright position as to be based upon load-bearing element of a roof aligning with □/0 Dbld opening in a roofing previously drilled acc. to the Table5 (see p.166).

Roof fan curb fastening to the load-bearing structure shall be performed in accordance with construction standards and recommendations specified in manuals and standard designs.

Mounting of return valve on a fan

Return valve shall be fastened to the fan before installation.

Inspect valve before fastening. If valve gates are fixed with transportation screws, then unscrew them. Ensure that valve gates open freely, without jamming.

During fastening valve to the fan, the fan shall be suspended. Do not put the fan up on the valve during and after installation to avoid its distortion.

Mounting of fan (with valve) on a roof fan curb

Fan is fastened to the roof fan curb by means of placing washers and M12 nuts on pins welded to the roof fan curb. Each pin must be fitted with two nuts (see reference A). Roof fan curbs are fitted with 4 or 8 M12 pins depending on nominal size. In case of BKPБ2x (VKRV2x) installation, positioning of fan with valve in relation to the roof fan curb shall be performed with strict accordance with diagram provided in Appendix to the service list.

Tray Mounting

Tray shall be fastened to the roof fan curb before fan installation. Each nominal size of CK (CKШ) (SK (SKSh)) roof fan curb corresponds to the certain tray number specified in the Table 4. Tray drain is equipped with a 3/4" valve for condensate water discharge.

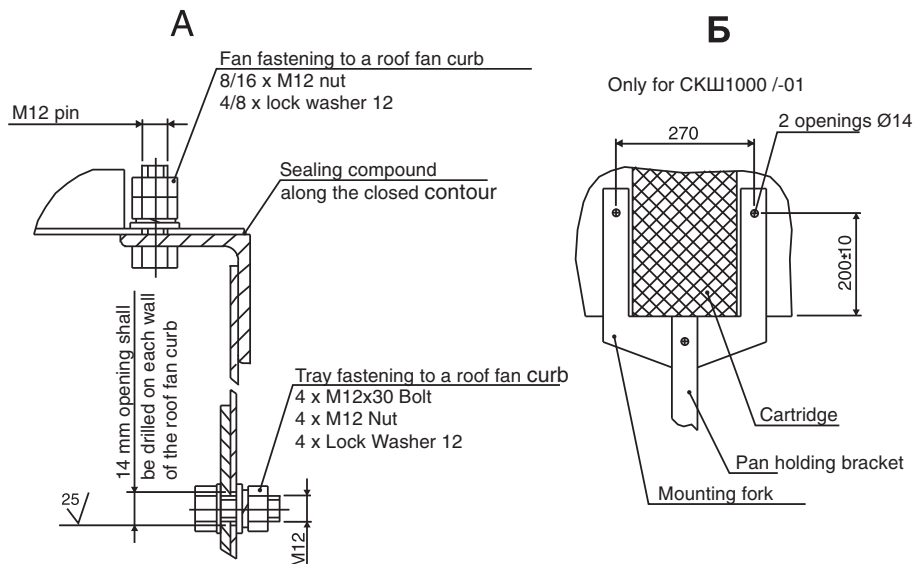
Before tray mounting drill 14 mm openings in the center of each side wall of the roof fan curb at a distance of 200 +/-10 mm from its base. Pan holding brackets fastening to the roof fan curb side walls shall be performed using M12 bolts, nuts and washers (see View A).

In case of tray mounting on CKШ (SKSh) roof fan curb (except for CKШ 1000 (SKSh 1000)) in addition to above steps it is required to transect and unbend the grating pressing noise absorbing material in places of 14 mm openings allocation. Push pan holding brackets between noise absorbing material and inner side of the roof fan curb side wall (see fan installation diagram for CKШ (SKSh) roof fan curb). After tray fastening resent cut parts of a grating.

Tray mounting on CKШ (SKSh) 1000 /-01 roof fan curb requires:

- 1) Two pan holding brackets on the sides, where the central sound suppressing cartridge is installed, shall be shortened by 250 mm and fitted with 14 mm drilled openings at a distance of 50 mm from the edge (see View B);
- 2) Two side walls of the roof fan curb, where the central sound suppressing cartridge is installed, shall be fitted with two 14 mm drilled openings each at a distance of 200 +/-10 mm from roof fan curb base and 270 mm between openings;
- 3) Two shortened pan holding brackets shall be fastened to two mounting forks (supplied by the CVM Manufacturing Works under special order), which shall be fastened in their turn to the roof fan curb side walls.

Above works shall be performed by the customer independently or shall be approved by the manufacturer on a stage of delivery set forming.



Finish Installation Work

After installation and fastening of all components the clearance between fan and roof fan curb top shall be filled by the sealing compound applied along the contour (see View A). Finish grouting mix underlayment, laying out of thermal and water insulation, installation of galvanized roof steel skirting with hose clamps along the contour shall be performed by the customer independently based on construction standards and recommendation provided in manuals and standard designs with consideration for roof fan curb height H_{cr} specified in the Tables 5-11.

Each fan type corresponds to the certain type of roof fan curb, valve and tray indices, which are specified in the Tables 5-10 and shall be considered upon order placement.

In case of installation of smoke exhaust fans with bilateral air emission roof protection layer must be made of nonflammable material within a radius of 2 m from the roof fan curb edges.

Accessories for installation of a certain fan shall be ordered according to the following code: Fan type / Roof fan curb type / Valve index / Tray index

If indication of some accessory is not present in the code, then this accessory will not be supplied to the customer.

Order example:

БРКШ-5-4-3 fan is completed with curb, valve, and tray. Based on the table 5 on p.166 order shall be made as follows: БРКШ-5 / СК1000-02 or СКШ 1000 / КГ-450x450 / ПД-02; if the same БРКШ-5-4-3 fan is completed with the curb and valve only, then based on the table 5 on p.166 we get: БРКШ-5 / СК1000-02 / КГ-450x450.

Order example:

ВКРН-АФ-7,1ДУ-400-01-У1 fan is completed with curb, valve, and tray. Based on the table 9 on p.166 order shall be made as follows: ВКРН-7,1ДУ / СК700-01 / КЛО-630 / ПД-01; if the same ВКРН-АФ-7,1ДУ-400-01-У1 fan is completed with the curb and valve only, then based on the table 9 on p.166 we get: ВКРН-7,1 ДУ / СК700-01 / КЛО-630.

КГ (KG) Valve

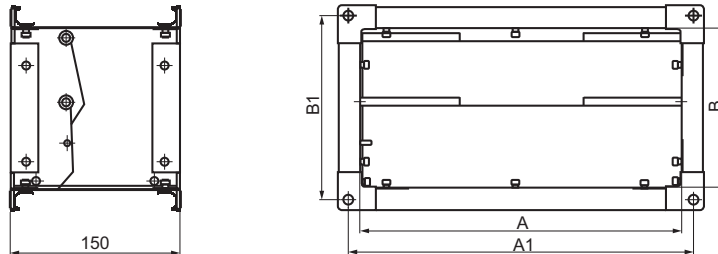


Table 1

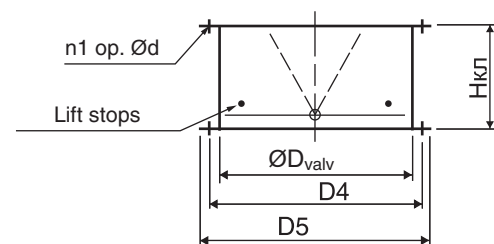
Valve Designation	Dimensions [mm]				Applicability	Weight [kg]
	A	B	A1	B1		
КГ-200x200	200	200	220	220	БРКШ-1,6	2,2
КГ-220x220	215	215	245	245	БРКШ-2	2,5
КГ-270x270	270	270	300	300	БРКШ-2,55; БРКШ-2,8	3,2
КГ-300x150	300	150	320	170	ВРПП-30x15; ВРПН-Н-1,6	2,7
КГ-345x345	345	345	375	375	БРКШ-3,15; БРКШ-3,55; БРКШ-4	4
КГ-350x350	350	350	370	370	ВРКК-2,5	4,2
КГ-400x200	400	200	420	220	ВРПП-40x20; ВРПН-Н-1,8; ВРПН-Н-2	3,5
КГ-400x400	400	400	420	420	ВРКК-2,8	4,9
КГ-450x450	450	450	470	470	ВРКК-3,15; ВРКШ-4,5; ВРКШ-5	5,5
КГ-500x250	500	250	520	270	ВРПП-50x25; ВРПВ-Н-2; ВРПН-Н-2,25; ВРПН-Н-2,5	4,5
КГ-500x300	500	300	520	320	ВРПП-50x30; ВРПВ-Н-2,25; ВРПН-Н-2,8; ВРПН-Н-3,15	4,7
КГ-500x500	500	500	520	520	ВРКК-3,55	6,3
КГ-560x560	560	560	580	580	ВРКК-4; ВРКШ-5,6	7,2
КГ-600x300	600	300	620	320	ВРПП-60x30; ВРПВ-Н-2,5	5,3
КГ-600x350	600	350	620	370	ВРПП-60x35; ВРПВ-Н-2,8; ВРПН-Н-3,55	5,7
КГ-630x630	630	630	650	650	ВРКК-4,5	8,3
КГ-700x400	700	400	720	420	ВРПП-70x40; ВРПВ-Н-3,15; ВРПН-Н-4	6,9
КГ-710x710	710	710	730	730	ВРКК-5; ВРКШ-6,3	9,6
КГ-800x500	800	500	830	530	ВРПП-80x50; ВРПВ-Н-3,55; ВРПН-Н-4,5; ВРПН-Н-4,5	9,1
КГ-800x800	800	800	830	830	ВРКК-5,6	12,4
КГ-900x500	900	500	930	530	ВРПВ-Н-4	9,9
КГ-1000x500	1000	500	1030	530	ВРПП-100x50; ВРПН-Н-5,6	10,7

Table 2

Valve Designation	Dimensions [mm]						Weight [kg]
	$\varnothing D_{valv}$	D4	D5	H_{valv}	d	n1	
КЛ(О)-250	250	280	300	170	7x10	3	4
КЛ(О)-280	280	310	330	190		4	4,2
КЛ(О)-315	315	345	365	190			4,5
КЛ(О)-355	355	385	405	240		5	6,9
КЛ(О)-400	400	430	450	240			8
КЛ(О)-450	450	480	500	260		6	9,6
КЛ(О)-500	500	530	550	290	10,9		
КЛ(О)-560	560	590	610	323	10x15	6	13,2
КЛ(О)-630	630	660	680	357			16,3
КЛ(О)-710	710	740	760	397		8	20,6
КЛ(О)-800	800	830	850	435			24,6
КЛ(О)-900	900	940	964	500	12x18	32	
КЛ(О)-1000	1000	1040	1064	545		50	
КЛ(О)-1120	1120	1165	1192	610	12	9	55
КЛ(О)-1250	1250	1295	1322	680		64	
КЛ(О)-1510	1510	1555	1586	810	12x18	13	75,5
КЛ(О)-1600	1600	1648	1672	880			107
КЛ(О)-1680	1680	1728	1752	880	12	108	

Note: Heat insulated version КЛ-У (KL-U) is available.

КЛ(О)* (KL(O)) Valve



* with blades lift stop

KO (KO) Valve

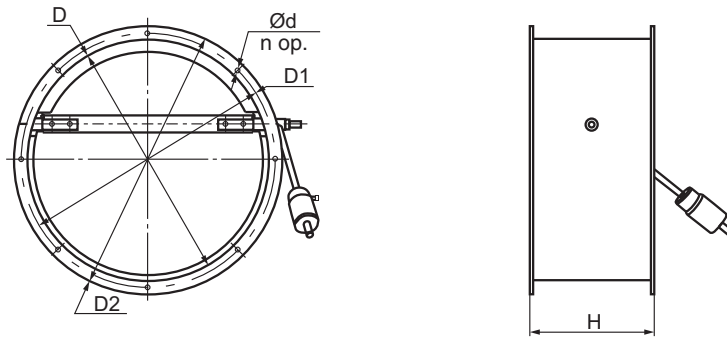


Table 3

Valve Designation	Dimensions [mm]						Applicability	Weight [kg]
	D	D1	D2	H	d	n		
KO-250	254	274	290	210	7	8	BP-2,5ДУ	5,7
KO-260	260	280	300	210	7	8	ВКРВ-2,5ДУ	5,9
KO-290	290	310	330	210	7	8	ВКРВ-2,8ДУ	6,6
KO-320	325	345	360	210	7	8	ВКРН-3,15ДУ; ВКРВ-3,15ДУ; ВР-3,15ДУ	7,2
KO-360	365	385	400	210	7	8	ВКРН-3,55ДУ; ВКРВ-3,55ДУ	8,1
KO-400	410	430	450	210	7	8	ВКРН-4ДУ; ВКРВ-4ДУ; ВР-4ДУ; ВО-4	8,9
KO-450	460	480	500	220	7	8	ВКРН-4,5ДУ; ВКРВ-4,5ДУ	11,6
KO-500	510	530	550	330	7	8	ВКРН-5ДУ; ВКРВ-5ДУ; ВО-5ДУ; ВР-5ДУ	14,2
KO-510	504	560	580	350	12	12	УВОП-5	15,9
KO-550	563	620	640	350	12	12	УВОП-Д-5	18,5
KO-570	570	590	610	400	10	8	ВКРН-5,6ДУ; ВКРВ-5,6ДУ	19,8
KO-600	640	660	690	450	10	16	ВКРН-6,3ДУ; ВКРВ-6,3ДУ; ВР-6,3ДУ; ВКРН-7,1ДУ	21,8
KO-630	634	690	720	450	12	16	УВОП-6,3; ВО-6,3ДУ	23,7
KO-650	713	770	800	470	12	12	УВОП-Д-6,3	24,6
KO-700	720	740	770	480	10	8	ВКРН-7,1ДУ	26,7
KO-800	810	850	880	500	10	16	ВКРН-8ДУ; ВКРВ-8ДУ; ВР-8ДУ	30,8
KO-810	806	860	890	500	12	16	УВОП-8; ВО-8ДУ	33,7
KO-900	904	960	990	530	12	16	УВОП-Д-8	37,1
KO-910	910	940	970	550	10	16	ВКРН-9ДУ	39,9
KO-1000	1015	1040	1070	550	12	16	ВКРН-10ДУ; ВР-10ДУ	43,5
KO-1050	1006	1070	1100	550	12	16	УВОП-10; ВО-10ДУ	46,6
KO-1070	1123	1190	1220	580	12	16	УВОП-Д-10	48,6
KO-1100	1135	1165	1190	620	12	8	ВКРН-11,2ДУ	50,7
KO-1250	1270	1295	1360	650	12	24	ВКРН-12,5ДУ; ВР-12,5ДУ; ВКРН-14ДУ	61,7
KO-1270	1256	1320	1370	650	12	16	УВОП-12,5; ВО-12,5ДУ	63,5
KO-1280	1407	1470	1500	700	12	16	УВОП-Д-12,5	64,4
KO-1600	1620	1675	1700	750	12	24	ВО-16ДУ	91,7

Note: Heat insulated version KO-Y (KO-U) is available.

Table 4

Tray Designation	Dimensions [mm]		Weight [kg]
	D _{tray}	□D1 _{tray}	
ПД-00	400	700	13
ПД-01	700	990	22
ПД-02	1200	1360	30
ПД-03	1450	1610	41

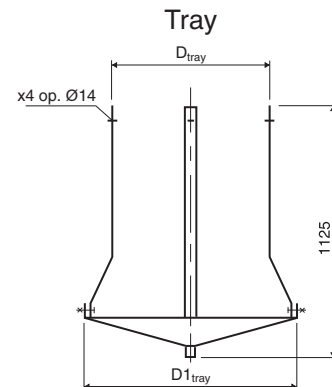


Table 5

ВРКШ (VRKSh) Fan Type	Roof Fan Curb Type		Valve Index	Tray Index	□/∅ D _{зд.} [mm]
		H _{ст.} [mm]			
ВРКШ-1,6	СК400 или СКШ400	500	КГ-200x200	ПД-00	400
ВРКШ-2			КГ-220x220		
ВРКШ-2,5	СК515 или СКШ515		КГ-270x270		470
ВРКШ-2,8	СК515-01 или СКШ515-01				
ВРКШ-3,15	СК630 или СКШ630		800	КГ-345x345	ПД-01
ВРКШ-3,55					
ВРКШ-4	СК700 или СКШ700	800	КГ-450x450	ПД-02	790
ВРКШ-4,5					
ВРКШ-5	СК1000-02 или СКШ1000	800	КГ-560x560	ПД-02	1030
ВРКШ-5,6					
ВРКШ-6,3	СК1000 или СКШ1000		КГ-710x710		

Table 6

ВРКО (VRKO) Fan Type	Roof Fan Curb Type		Valve Index	Tray Index	□/∅ D _{зд.} [mm]	
		H _{ст.} [mm]				
ВРКО-3,15	СК400	400	КЛ-315	ПД-00	400	
ВРКО-3,55			СК515		КЛ-355	470
ВРКО-4	КЛ-400				700	
ВРКО-4,5	СК630		800	КЛ-450	ПД-01	790
ВРКО-5				КЛ-500		
ВРКО-6,3	СК700-01	1000	КЛ-630	ПД-02	1030	
ВРКО-7,1						
ВРКО-8	СК1000	1000	КЛ-800	ПД-03	1270	
ВРКО-9			КЛ-900			
ВРКО-10	СК1200	600	КЛ-1000	ПД-03	1500	
ВРКО-11,2			КЛ-1120			
ВРКО-12,5	СК1450	600	КЛ-1250			
ВРКО-14			КЛ-1250			

Table 7

ВОКШ (VOKSH) Fan Type	Roof Fan Curb Type		Valve Index	Tray Index	□/∅ D _{зд.} [mm]
		H _{ст.} [mm]			
ВОКШ-5	СК630 или СКШ630	500	КЛ-500	ПД-01	700
ВОКШ-8	СК1000-01 или СКШ1000	800	КЛ-800	ПД-02	1030
ВОКШ-10	СК1200-01 или СКШ1200	800	КЛ-1000	ПД-03	1270

Table 8

ВКРВ (VKRV) Fan Type	Roof Fan Curb Type		Valve Index	Tray Index	□/∅ D _{зд.} [mm]
		H _{ст.} [mm]			
ВКРВ-2,5ДУ	СК400	400	КЛО-250	ПД-00	400
ВКРВ-2,8ДУ			КЛО-280		
ВКРВ-3,15ДУ	СК515		КЛО-315		470
ВКРВ-3,55ДУ			СК700	КЛО-400	ПД-01
ВКРВ-4ДУ	КЛО-450				
ВКРВ-4,5ДУ	СК1000-01	600	КЛО-500	ПД-02	1030
ВКРВ-5ДУ			КЛО-560		
ВКРВ-5,6ДУ	СК1200-01	600	КЛО-630	ПД-03	1270
ВКРВ-6,3ДУ			КЛО-710		
ВКРВ-7,1ДУ	СК1450-01	600	КЛО-800	ПД-01	700
ВКРВ-8ДУ			КЛО-1000		
ВКРВ2x2,5ДУ	СК1772	400	КЛО-560	ПД-03	1500
ВКРВ2x5ДУ			КЛО-1250		
ВКРВ2x5,6ДУ	СК1588	400	КЛО-1510	—	1685
ВКРВ2x6,3ДУ			КЛО-1680	—	1900
ВКРВ2x7,1ДУ					
ВКРВ2x8ДУ					

Table 9

ВКРН* (VKRN) Fan Type	Roof Fan Curb Type		Valve Index	Tray Index	□/∅ D _{зд.} [mm]
		H _{ст.} [mm]			
ВКРН-3,15ДУ	СК400	400	КЛО-315	ПД-00	400
ВКРН-3,55ДУ			КЛО-355		
ВКРН-4ДУ	СК515		КЛО-400		470
ВКРН-4,5ДУ			СК630	КЛО-450	700
ВКРН-5ДУ	СК700			800	КЛО-500
ВКРН-5,6ДУ		КЛО-560			
ВКРН-6,3ДУ	СК700-01	800	КЛО-630		
ВКРН-7,1ДУ					



www.cvm.ru

Accessories Selection. Accessories for Wall-Mounted Fan Installation

Continuation of table 9

ВКРН-8ДУ	СК1000		КЛО-800	ПД-02	1030
ВКРН-9ДУ	СК1000		КЛО-900		
ВКРН-10ДУ	СК1200	600	КЛО-1000	ПД-03	1270
ВКРН-11,2ДУ	СК1200		КЛО-1120		
ВКРН-12,5ДУ	СК1450		КЛО-1250		
ВКРН-14ДУ					

Notes: *) Means all fan modifications;

Table 10

B0-21-210K* (VO-21-210K) Fan Type	Roof Fan Curb Type		Valve Index	Tray Index	□/∅ D _{зд.} , [mm]
		Нст, [mm]			
BO-21-210K-4ДУ	СК515	400	КЛ-400	ПД-00	470
BO-21-210K-5ДУ	СК700		КЛ-500	ПД-01	790
BO-21-210K-6,3ДУ			КЛ-630		
BO-21-210K-8ДУ	СК1000-01	600	КЛ-800	ПД-02	1030
BO-21-210K-10ДУ	СК1200-01		КЛ-1000	ПД-03	1270
BO-21-210K-12,5ДУ	СК1450-01		КЛ-1250		1500
BO-21-210K-16ДУ	СК1772	400	КЛ-1600	—	1900

Notes: *) Means all fan modifications;

Table 11

КВОП (KVOP) Fan Type	Tray Index
КВОП-5; КВОП-6,3	ПД-00
КВОП-8	ПД-01
КВОП-10	ПД-02
КВОП-12,5	ПД-03

Accessories for Wall-Mounted Fan Installation

БРП ДУ (VRP DU) wall-mounted smoke exhaust fans may be completed with the following accessories, which are recommended to be used during equipment installation:

- ◆ Mounting brackets;
- ◆ Canopy gate;
- ◆ Attachment.

Each fan is completed with 2 mounting brackets:

- ◆ «Right-hand» (in numerator);
- ◆ «Left-hand» (in denominator).

Application	Mounting Bracket*	Masked Inlet Damper	Outdoor Air Hood
	Notation	Notation	Notation
БРП-А/Б-3,15ДУ-01	БРП-3,15В1/БРП-3,15В2	КК-3,15ДУ	П-3,15ДУ
БРП-А/Б-3,15ДУ-02			
БРП-А/Б-3,15ДУ-03			
БРП-А/Б-3,35ДУ-01	БРП-3,55В1/БРП-3,55В2	КК-3,55ДУ	П-4ДУ
БРП-А/Б-3,35ДУ-02			
БРП-А/Б-3,35ДУ-03			
БРП-А/Б-4ДУ-01	БРП-4В1/БРП-4В2	КК-4ДУ	П-4ДУ
БРП-А/Б-4ДУ-02			
БРП-А/Б-4ДУ-03			
БРП-А/Б-4,5ДУ-01	БРП-4,5В1/БРП-4,5В2	КК-4,5ДУ	П-4ДУ
БРП-А/Б-4,5ДУ-02			
БРП-А/Б-4,5ДУ-03			
БРП-А/Б-5ДУ-01	БРП-5В1/БРП-5В2	КК-5ДУ	П-5,6ДУ
БРП-А/Б-5ДУ-02			
БРП-А/Б-5ДУ-03			
БРП-А/Б-5,6ДУ-01	БРП-5,6В1/БРП-5,6В2	КК-5,6ДУ	П-5,6ДУ
БРП-А/Б-5,6ДУ-02			
БРП-А/Б-5,6ДУ-03			
БРП-А/Б-6,3ДУ-01	БРП-6,3В1/БРП-6,3В2	КК-6,3ДУ	П-5,6ДУ
БРП-А/Б-6,3ДУ-02			
БРП-А/Б-6,3ДУ-03			
БРП-А/Б-7,1ДУ-01	БРП-7,1В1/БРП-7,1В2	КК-7,1ДУ	П-8ДУ
БРП-А/Б-7,1ДУ-02			
БРП-А/Б-7,1ДУ-03			
БРП-А/Б-8ДУ-01	БРП-8В1/БРП-8В2	КК-8ДУ	П-8ДУ
БРП-А/Б-8ДУ-02			
БРП-А/Б-8ДУ-03			

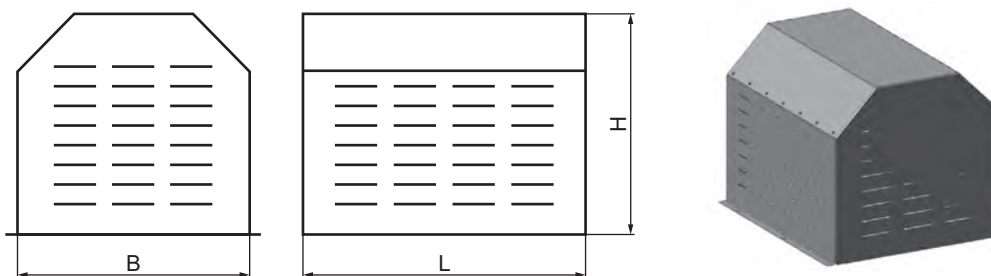
Rainscreen	
Application	Notation
ВКРН-АП(АД)-3,15ДУ	ЗПД-3,15А
ВКРН-БП(БД)-3,15ДУ	ЗПД-3,15Б
ВКРН -АП (АД) -3,55ДУ	ЗПД-3,55А
ВКРН-БП(БД)-3,55ДУ	ЗПД-3,55Б
ВКРН-АП(АД)-4ДУ	ЗПД-4А
ВКРН-БП(БД)-4ДУ	ЗПД-4Б
ВКРН-АП(АД)-4,5ДУ	ЗПД-4,5А
ВКРН-БП(БД)-4,5ДУ	ЗПД-4,5Б
ВКРН-АП(АД)-5ДУ	ЗПД-5А
ВКРН-БП(БД)-5ДУ	ЗПД-5Б
ВКРН-АП(АД)-5,6ДУ	ЗПД-5,6А
ВКРН-БП(БД)-5,6ДУ	ЗПД-5,6Б
ВКРН-АП(АД)-6,3ДУ	ЗПД-6,3А
ВКРН-БП(БД)-6,3ДУ	ЗПД-6,3Б
ВКРН-АП (АД)-7,1 ДУ	ЗПД-7,1 А
ВКРН-БП(БД)-7,1 ДУ	ЗПД-7,1 Б
ВКРН-ВП(ВД)-7,1 ДУ	ЗПД-7,1А
ВКРН-АП(АД)-8ДУ	ЗПД-8А
ВКРН-БП(БД)-8ДУ	ЗПД-8Б
ВКРН-ВП(ВД)-8ДУ	ЗПД-8А
ВКРН-АП(АД)-9ДУ	ЗПД-9А
ВКРН-БП(БД)-9ДУ	ЗПД-9Б
ВКРН-АП(АД)-10ДУ	ЗПД-10А
ВКРН-БП(БД)-10ДУ	ЗПД-10Б
ВКРН-АП(АД)-11,2ДУ	ЗПД-11,2А
ВКРН-БП(БД)-11,2ДУ	ЗПД-11,2Б
ВКРН-ВП(ВД)-11,2ДУ	ЗПД-11,2А
ВКРН-АП(АД)-12,5ДУ	ЗПД-12,5А
ВКРН-БП(БД)-12,5ДУ	ЗПД-12,5Б
ВКРН-ВП(ВД)-12,5ДУ	ЗПД-12,5А
ВКРН-АП(АД)-14ДУ	ЗПД-14А
ВКРН-БП(БД)-14ДУ	ЗПД-14Б

Notes:

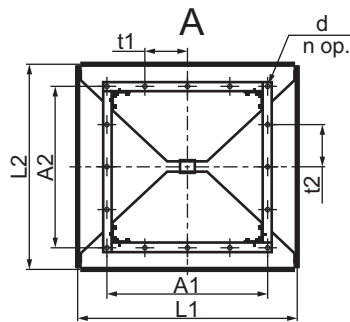
- 1) Each fan requires 2 screens.

BP (VR) and BO (VO) fans (except for BO-K (VO-K)) are operated in accordance with 2nd category of location (GOST 15150-69), i.e. under hood, or indoors. First category of location (outdoor) requires implementation of additional structures providing weather protection. For VR-series fans these structures are represented by the КДВ (KDV) hood, protecting motor, and KBP (KVR) cover protecting inner space of a fan. For VO-series fans protective structures are represented by the shield KBO (KVO) deflecting slanting rain.

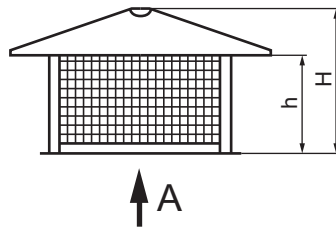
КДВ (KDV) Hood



Hood Designation	Dimensions [mm]			Weight [kg]	Applicability	
	L	H	B		Motor	Fan
КДВ-56	143	238	368	4,3	АИР-56	BP-80-70-2,5ДУ-00, BP-80-70-3,15ДУ-00, BP-80-75-2,5-02
КДВ-63	163	270	378	5,2	АИР-63	BP-80-70-2,5ДУ-01, BP-80-70-4ДУ-00, BP-80-75-3,15-04, BP-80-75-4-04, BP-280-46-2,5-00
КДВ-71	193	285	390	5,8	АИР-71	BP-80-70-4ДУ-01, BP-80-70-5ДУ-00, BP-80-75-2,5-21, BP-80-75-5-03, BP-280-46-2,5-01, BP-280-46-2,5ДУ-00, BP-280-46-2,5-02, BP-280-46-3,15-00, BP-280-46-3,15-01, BP-120-28-5-00
КДВ-80	233	304	402	6,5	АИР-80	BP-80-70-3,15ДУ-01, BP-80-75-3,15-16, BP-280-46-3,15ДУ-00, BP-280-46-3,15ДУ-01, BP-280-46-2,5-03, BP-280-46-3,15-02, BP-280-46-3,15-03, BP-280-46-3,15-04, BP-280-46-4-00, BP-140-40-2,5-00, BP-120-28-5-01, BP-120-28-5-02
КДВ-90	283	340	418	7,9	АИР-90	BP-80-70-5ДУ-01, BP-80-75-6,3-02.1, BP-280-46-2,5ДУ-01, BP-280-46-3,15ДУ-02, BP-280-46-4ДУ-00, BP-280-46-2,5-04, BP-280-46-3,15-05, BP-280-46-4-01, BP-140-40-3,15-00, BP-120-28-6,3-00
КДВ-100	308	360	438	8,7	АИР-100S	BP-80-75-5-22, BP-280-46-2,5-05, BP-140-40-3,15-01, BP-120-28-6,3-01
КДВ-100-01	308	360	438	8,9	АИР-100L	BP-80-70-6,3ДУ-00, BP-280-46-2,5-06, BP-280-46-2,5ДУ-02, BP-280-46-4ДУ-01, BP-280-46-4-02, BP-280-46-4-03, BP-140-40-4-00, BP-120-28-5-03, BP-120-28-6,3-02, BP-120-28-8-00
КДВ-112	358	390	468	10,1	АИР-112	BP-80-70-6,3ДУ-01, BP-80-70-8ДУ-00, BP-80-75-4-31, BP-80-75-8-00, BP-280-46-4ДУ-02, BP-280-46-4-04, BP-280-46-5-00, BP-140-40-4-01, BP-120-28-5-04, BP-120-28-8-01, BP-120-28-8-02, BP-120-28-8-03
КДВ-132	393	435	494	11,7	АИР-132S	BP-80-70-8ДУ-01, BP-80-75-10-00.2, BP-280-46-4ДУ-03, BP-280-46-5ДУ-00, BP-280-46-4-05, BP-280-46-5-01, BP-280-46-6,3-00, BP-140-40-5-00, BP-120-28-8-04, BP-120-28-10-00
КДВ-132-01	433	435	494	12,5	АИР-132M	BP-80-75-6,3-22, BP-280-46-5ДУ-01, BP-280-46-5ДУ-02, BP-280-46-6,3ДУ-00, BP-280-46-5-02, BP-280-46-5-03, BP-280-46-6,3-01, BP-140-40-5-01, BP-140-40-6,3-00, BP-120-28-5-05, BP-120-28-8-05, BP-120-28-10-01
КДВ-160	538	510	532	15,2	АИР-160S	BP-80-70-10ДУ-00, BP-280-46-5ДУ-03, BP-280-46-6,3ДУ-01, BP-280-46-5-04, BP-280-46-6,3-02, BP-280-46-6,3-04, BP-140-40-6,3-01, BP-120-28-6,3-03, BP-120-28-8-06, BP-120-28-10-02
КДВ-160-01	583	510	532	15,9	АИР-160M	BP-80-75-8-20, BP-280-46-6,3ДУ-02, BP-280-46-6,3ДУ-03, BP-280-46-5-05, BP-280-46-6,3-03, BP-280-46-6,3-05, BP-120-28-6,3-04, BP-120-28-10-03
КДВ-180	623	545	557	18,5	АИР-180S	BP-280-46-5ДУ-04, BP-280-46-5-06, BP-140-40-8-01, BP-120-28-6,3-05, BP-120-28-10-04
КДВ-180-01	663	545	557	19,1	АИР-180M	BP-80-70-10ДУ-01, BP-280-46-5-07, BP-280-46-6,3-06, BP-280-46-8-00, BP-140-40-8-01, BP-120-28-6,3-06, BP-120-28-10-05
КДВ-200	723	570	596	22,9	АИР-200M	BP-80-75-10-20, BP-280-46-6,3ДУ-04, BP-280-46-8ДУ-00, BP-280-46-6,3-07, BP-280-46-8-01, BP-120-28-10-06
КДВ-200-01	723	570	596	23,2	АИР-200L	BP-80-70-12,5ДУ-00, BP-80-75-12,5-06, BP-280-46-6,3-08, BP-280-46-8-02, BP-280-46-8-05
КДВ-225	743	650	636	26,1	АИР-225	BP-80-70-12,5ДУ-01, BP-280-46-8-03, BP-280-46-8-06, BP-280-46-8ДУ-01
КДВ-250	768	705	684	28,7	АИР-250S	BP-80-75-12,5-13, BP-280-46-8-04, BP-280-46-8-07, BP-280-46-8ДУ-02
КДВ-250-01	843	705	684	30,5	АИР-250M	BP-280-46-8-08
КДВ-280	948	770	735	36	АИР-280S	BP-280-46-8-09

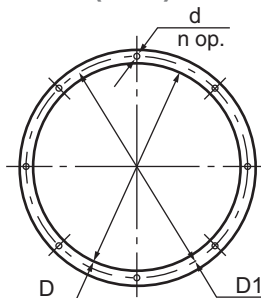
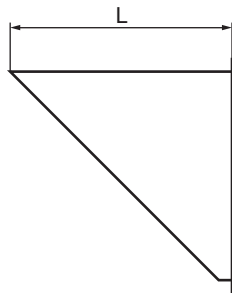


KBP (KVR) Cover



Roof Designation	Dimensions [mm]										Weight [kg]	Applicability
	L1	L2	H	h	A1	A2	t1	t2	d	n		
KBP-2,5	339	308	247	197	205	205	100	100	7	8	2,1	BP-80-70-2,5ДУ, BP-80-75-2,5, BP-280-46-2,5, BP-280-46-2,5ДУ
KBP-2,5-01	302	271	237	197	168	168	65	65	7	8	1,7	BP-140-40-2,5
KBP-3,15	389	358	259	197	255	255	100	100	7	12	2,7	BP-80-70-3,15ДУ, BP-80-75-3,15, BP-280-46-3,15, BP-280-46-3,15ДУ
KBP-3,15-01	355	324	250	197	221	221	84	75	7	12	2,4	BP-140-40-3,15
KBP-4	444	413	272	197	310	310	100	100	7	12	3,8	BP-80-70-4ДУ, BP-80-75-4, BP-280-46-4, BP-280-46-4ДУ
KBP-4-01	419	388	266	197	285	285	110	95	7	12	3,4	BP-140-40-4
KBP-5	514	483	288	197	380	380	100	100	7	16	5,4	BP-80-70-5ДУ, BP-80-75-5, BP-280-46-5, BP-280-46-5ДУ
KBP-5-01	476	445	280	197	342	342	100	100	7	16	4,5	BP-140-40-5
KBP-5-02	384	303	257	197	250	200	100	100	15	10	2,4	BP-120-28-5
KBP-6,3	604	573	311	197	470	470	100	100	7	16	7,8	BP-80-70-6,3ДУ, BP-80-75-6,3, BP-280-46-6,3, BP-280-46-6,3ДУ
KBP-6,3-01	552	521	298	197	418	418	100	100	7	16	6,4	BP-140-40-6,3
KBP-6,3-02	432	343	270	197	300	240	100	120	15	10	3,2	BP-120-28-6,3
KBP-8	734	703	343	197	600	600	150	150	12	16	12,9	BP-80-70-8ДУ, BP-80-75-8, BP-280-46-8, BP-280-46-8ДУ
KBP-8-01	654	623	323	197	520	520	100	100	12	16	9,3	BP-140-40-8
KBP-8-02	514	403	289	197	380	300	100	100	24	14	4,6	BP-120-28-8
KBP-10	884	853	379	197	750	750	150	150	12	24	17,7	BP-80-70-10ДУ, BP-80-75-10, BP-280-46-10
KBP-10-01	594	463	309	197	460	360	120	120	24	14	6,3	BP-120-28-10
KBP-12,5	1064	1033	423	197	930	930	150	150	12	24	26,3	BP-80-70-12,5ДУ, BP-80-75-12,5, BP-280-46-12,5

KBO (KVO) Shield

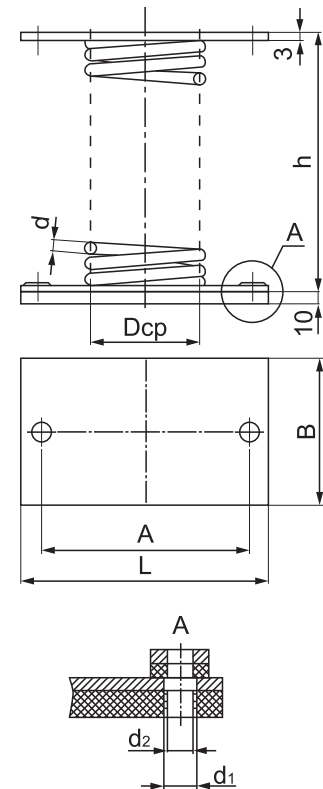


Shield Designation	Dimensions [mm]					Weight [kg]	Applicability
	L	D	D1	d	n		
KBO-4	435	405	430	8	8	4,3	BO-21-210-4ДУ, BO-12-300-4
KBO-5	535	505	530	8	10	6,3	BO-21-210-5ДУ, BO-12-300-5
KBO-5-01	535	505	560	12	12	7,1	УВОП-5
KBO-5-02	756	726	760	12	12	11,9	УВОП-К-5
KBO-6,3	670	640	690	12	12	10,5	BO-21-210-6,3ДУ, УВОП-6,3, BO-30-160-6,3, BO-12-300-6,3
KBO-6,3-01	920	887	920	12	12	23,4	УВОП-К-6,3
KBO-8	840	810	860	10	12	21,4	BO-21-210-8ДУ, УВОП-8, BO-30-160-8, BO-25-188-8, BO-12-300-8
KBO-8-01	1050	1020	1050	12	16	29,9	УВОП-К-8
KBO-10	1040	1008	1070	12	16	31,4	BO-21-210-10ДУ, УВОП-10, BO-30-160-10, BO-25-188-10, BO-12-300-10
KBO-10-01	1380	1350	1380	12	16	51,6	УВОП-К-10
KBO-12,5	1290	1260	1320	12	16	48,5	BO-21-210-12,5ДУ, УВОП-12,5, BO-30-160-12,5, BO-25-188-12,5, BO-12-300-12,5
KBO-12,5-01	1740	1706	1740	12	16	80,6	УВОП-К-12,5
KBO-16	1650	1620	1675	12	16	77,8	BO-21-210-16ДУ

DO (DO) Spring Mounts

Overall and connecting dimensions of DO spring mount [mm]:

Type	Load [kg]		Vertical Rigidity [kg/cm]	Height in unloaded condition H [mm]	Spring Compression under Load [mm]		Weight [kg]	Dimensions [mm]						
	Working (Рраб.)	Maximum (Рпр.)			Рраб.	Рпр.		L	A	B	DCP	d	d1	d2
ДО-38	12,4	15,5	4,57	77	27	33,7	0,29	100	70	60	30	3	12	8,5
ДО-39	22,3	27,8	6,2	97,5	36	45	0,41	110	80	70	40	4	12	8,5
ДО-40	34,6	43,2	8,3	123	41,7	52	0,94	130	100	90	50	5	12	8,9
ДО-41	55	68,7	12,65	138	43,4	54	1,03	130	100	90	54	6	14	10,5
ДО-42	96	120	16,8	180	57,2	72	1,79	150	120	110	72	8	14	10,5
ДО-43	168	210	30	202	56	70	2,46	160	130	120	80	10	14	10,5
ДО-44	243	303,7	36,4	236	66,5	83	3,74	180	150	140	96	12	14	10,5
ДО-45	380	475	45	291	75	91	6,58	220	180	170	120	15	14	10,5



Fan	Type of vibration isolator	
BP-80-70-2,5ДУ	ДО-38	—
BP-80-70-2,8ДУ	ДО-38	—
BP-80-70-3,15ДУ	ДО-38	—
BP-80-70-3,55ДУ	ДО-38	—
BP-80-70-4ДУ	ДО-39	—
BP-80-70-4,5ДУ	ДО-39	—
BP-80-70-5ДУ	ДО-40	—
BP-80-70-5,6ДУ	ДО-40	ДО-39
BP-80-70-6,3ДУ	ДО-41	ДО-39
BP-80-70-7,1ДУ	ДО-41	ДО-40
BP-80-70-8ДУ	ДО-42	ДО-41
BP-80-70-9ДУ	ДО-43	ДО-42
BP-80-70-10ДУ	ДО-43	ДО-42
BP-80-70-11,2ДУ	ДО-44	ДО-43
BP-80-70-12,5ДУ	ДО-44	ДО-43
Quantity of vibration isolators	4	6

Fan	Type of vibration isolator	
BP-280-46-2,5ДУ	ДО-38	—
BP-280-46-2,8ДУ	ДО-38	—
BP-280-46-3,15ДУ	ДО-38	—
BP-280-46-3,55ДУ	ДО-38	—
BP-280-46-4ДУ	ДО-40	ДО-39
BP-280-46-4,5ДУ	ДО-41	ДО-40
BP-280-46-5ДУ	ДО-42	ДО-41
BP-280-46-5,6ДУ	ДО-42	ДО-41
BP-280-46-6,3ДУ	ДО-42	ДО-41
BP-280-46-7,1ДУ	ДО-43	ДО-42
BP-280-46-8ДУ	ДО-43	ДО-42
Quantity of vibration isolators	4	6

Fan	Type of vibration isolator	
BP-80-75-2,5	ДО-38	—
BP-80-75-3,15	ДО-38	—
BP-80-75-4 (00÷24)	ДО-38	—
BP-80-75-4 (25÷33)	ДО-39	—
BP-80-75-5	ДО-40	ДО-39
BP-80-75-6,3	ДО-41	ДО-40
BP-80-75-8	ДО-42	ДО-41
BP-80-75-10	ДО-43	ДО-42
BP-80-75-12,5	ДО-44	ДО-43
Quantity of vibration isolators	4	6

Fan	Type of vibration isolator	
BP-280-46-2,5	ДО-38	—
BP-280-46-3,15	ДО-38	—
BP-280-46-4 (00÷03)	ДО-39	—
BP-280-46-4 (04÷05)	ДО-40	ДО-39
BP-280-46-5(00÷03)	ДО-41	ДО-40
BP-280-46-5(04÷07)	ДО-42	ДО-41
BP-280-46-6,3 (00, 01)	ДО-41	ДО-40
BP-280-46-6,3 (02÷04)	ДО-42	ДО-41
BP-280-46-6,3 (05÷08)	ДО-43	ДО-42
BP-280-46-8 (00÷06)	ДО-43	ДО-42
BP-280-46-8 (07÷09)	ДО-44	ДО-43
Quantity of vibration isolators	4	6

Fan	Type of vibration isolator	
BP-140-40-2,5	ДО-38	—
BP-140-40-3,15	ДО-38	—
BP-140-40-4	ДО-39	—
BP-140-40-5	ДО-41	ДО-40
BP-140-40-6,3	ДО-42	ДО-41
BP-140-40-8	ДО-42	ДО-41
Quantity of vibration isolators	4	6

Fan	Type of vibration isolator	
BP-120-28-5 (00÷02)	ДО-39	—
BP-120-28-5 (03÷05)	ДО-40	ДО-39
BP-120-28-6,3 (00÷02)	ДО-40	ДО-39
BP-120-28-6,3 (03÷06)	ДО-42	ДО-41
BP-120-28-8 (00÷02)	ДО-41	ДО-40
BP-120-28-8 (03÷06)	ДО-42	ДО-41
BP-120-28-10	ДО-43	ДО-42
Quantity of vibration isolators	4	6

CVM Manufacturing Works produces flexible ducts for connection of various types of fans to the ductwork with round, rectangular, or square ducts.

Flexible ducts are available in general-purpose, heat-resistant, acid-proof (for ВРПН-Н ВК (VRPN-N VK)), corrosion-proof, and frost-resistant versions.

Flexible ducts are flange-mounted. Flexible ducts used with ducted fans ВРКК (VRKK) with radial flange may be mounted on "nipple".

Heat-resistant ducts may be used as thermal expansion absorbers in the ductwork of smoke-exhaust systems and other systems transferring air at the temperature over 100 °C (SP 7.13130.2013 "HVAC. Fire Safety Requirements").

Example of a duct reference designation:

Б Г Т - 175x175 - Н
 B — Duct No. (1, 2, 3, or 4 acc. to the table);
 Г — Nipple mounting;
 Т — heat-resistant, К — acid-proof,
 М — frost-resistant, Кр — corrosion-proof;
 Flexible;
 Duct.

Square-Section Flexible Ducts

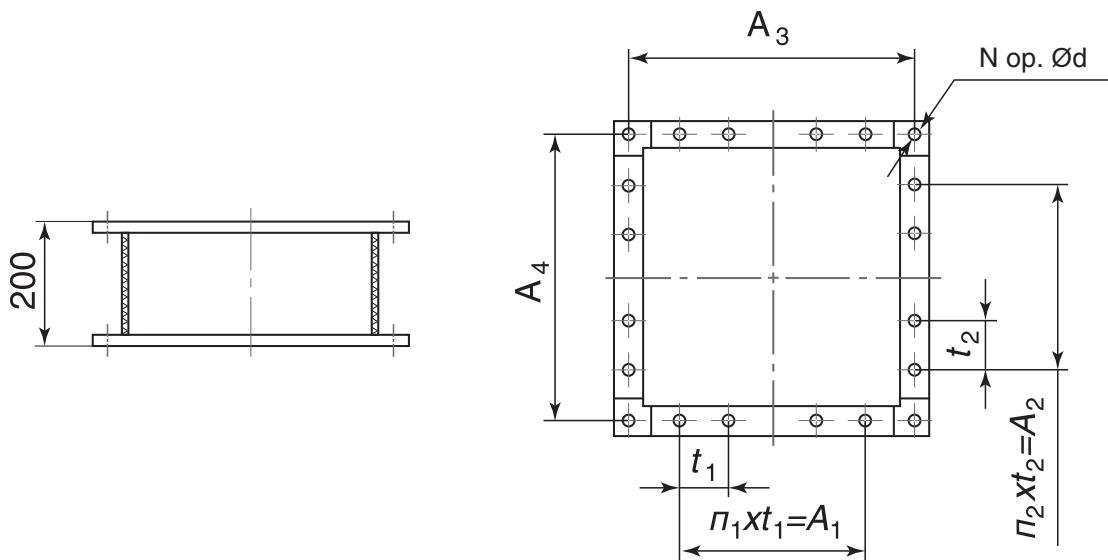


Table 1

Duct No.	A ₁ , [mm]	A ₂ , [mm]	A ₃ , [mm]	A ₄ , [mm]	n ₁ , [mm]	n ₂ , [mm]	t ₁ , [mm]	t ₂ , [mm]	d ₁ , [mm]	N	Fan
175x175	100	100	—	—	1	1	100	100	7	8	BP-2,5
221x221	200	200	—	—	2	2	100	100	7	8	BP-3,15
280x280	200	300	—	—	3	3	100	100	7	16	BP-4
300x300	—	—	370	370	—	—	—	—	7	4	BPKK-2,5
350x350	300	300	—	—	3	3	100	100	7	16	BP-5
400x400	—	—	420	420	—	—	—	—	9	4	BPKK-2,8
447x447	400	400	—	—	4	4	100	100	7	16	BP-6,3
450x450	—	—	470	470	—	—	—	—	9	4	BPKK-3,15
500x500	—	—	520	520	—	—	—	—	9	4	BPKK-3,55
550x550	—	—	580	580	—	—	—	—	9	4	BPKK-4
560x560	600	600	—	—	4	4	150	150	11	16	BP-8
630x630	—	—	650	650	—	—	—	—	9	4	BPKK-4,5
704x704	750	750	—	—	5	5	150	150	12	24	BP-10
710x710	—	—	730	730	—	—	—	—	13	4	BPKK-5
800x800	—	—	830	830	—	—	—	—	13	4	BPKK-5,6
875x875	750	750	—	—	5	5	150	150	12	24	BP-12,5

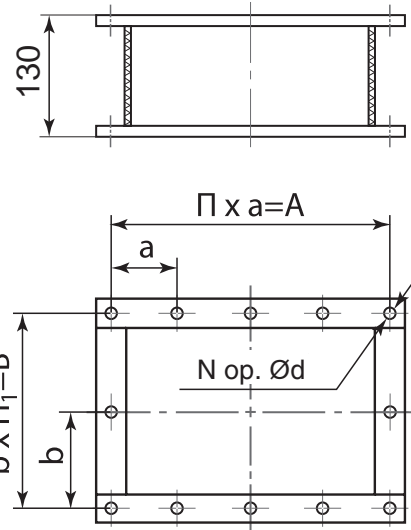
Note:

1) Square-section flexible ducts are manufactured in general purpose industrial version of all sizes; heat-resistant version is designed for BP ДУ (VR DU) series fans; acid-proof, corrosion-proof, and frost-resistant versions are designed for BP (VR) series fans.

Rectangular-Section Flexible Ducts

Table 2

Duct No.	A, [mm]	a, [mm]	Π	d, [mm]	B, [mm]	b, [mm]	Π ₁	N	Fan Designation
220x500	530	132,5	4	8	250	125	2	12	ВРП-3,15
245x560	590	147,5	4	8	275	137,5	2	12	ВРП-3,55
275x630	660	132	5	8	305	152,5	2	14	ВРП-4
310x710	740	148	5	8	339	113	3	16	ВРП-4,5
340x800	830	166	5	8	369	123	3	16	ВРП-5
380x900	939	156,5	6	10	417	139	3	18	ВРП-5,6
430x1000	1038	173	6	10	468	156	3	18	ВРП-6,3
500x1125	1162	166	7	10	537	179	3	20	ВРП-7,1
560x1250	1288	184	7	10	597	199	3	20	ВРП-8
300x150	320	—	—	—	170	—	—	4	ВРПП-30x15; ВРПН-1,6
400x200	420	—	—	—	220	—	—	4	ВРПН-1,8; ВРПН-2; ВРПП40x20
500x250	520	—	—	—	270	—	—	4	ВРПН-2,25; ВРПН-2,5; ВРПВ-2; ВРПП50x25
500x300	520	—	—	—	320	—	—	4	ВРПН-2,8; ВРПН-3,15; ВРПВ-2,25; ВРПП50x30
600x300	620	—	—	—	320	—	—	4	ВРПВ-2,5; ВРПП60x30
600x350	620	—	—	—	370	—	—	4	ВРПН-3,55; ВРПВ-2,8; ВРПП60x35
700x400	720	—	—	—	420	—	—	4	ВРПН-4; ВРПВ-3,15; ВРПП70x40
800x500	830	—	—	—	530	—	—	4	ВРПН-4,5; ВРПН-5; ВРПВ-3,55; ВРПП80x50
900x500	930	—	—	—	530	—	—	4	ВРПВ-4
1000x500	1030	—	—	—	530	—	—	4	ВРПН-5,6; ВРПП100x50



Note:

- 1) General purpose industrial grade version of rectangular-section flexible ducts is designed for ВРПП (VRPP), ВРПН (VRPN), and ВРПВ (VRPV) fans; heat-resistant version is designed for ВРП (VRP) and ВРПН-Н КХ (VRPN-N KH) fans; acid-proof version is designed for ВРПН-НВК (VRPN-NVK) fans; corrosion-proof version is designed for ВРПН-Н КР (VRPN-N KR) fans.

Nipple Mounted Round-Section Flexible Ducts

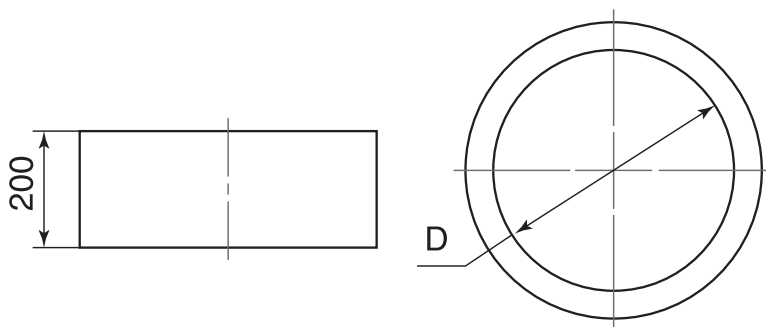


Table 3

Duct No.	D [mm]
250	250
280	280
315	315
355	355
400	400
450	450
500	500
560	560

Note:

Nipple mounted round-section flexible ducts are manufactured in the general purpose industrial grade version.

Round-Section Flexible Ducts

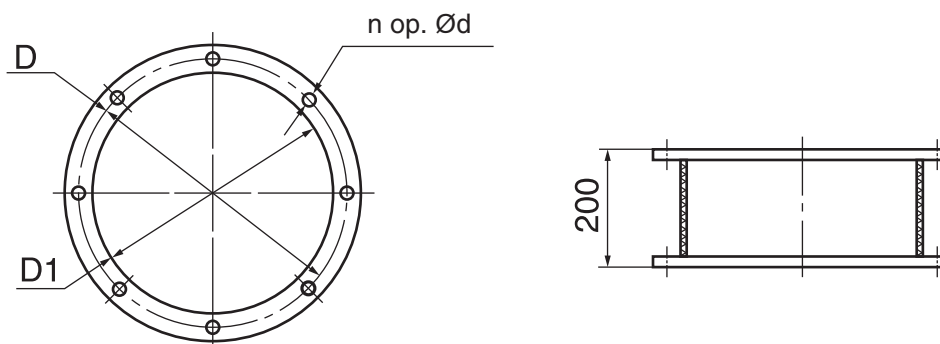


Table 4

Duct No.	D	D1	d	n	Fan
254	274	254	7	8	BP-2,5ДУ
260	280	260	7	4	ВКРВ-2,5ДУ
290	310	290	7	4	ВКРВ-2,8ДУ
325	345	325	7	4	ВКРН-3,15ДУ; ВКРВ-3,15ДУ; ВР-3,15ДУ; ВРКО-3,15
365	385	365	7	4	ВКРН-3,55ДУ; ВКРВ-3,55ДУ
410	430	410	7	4	ВКРН-4ДУ; ВКРВ-4ДУ; ВР-4ДУ; ВРКО-4
460	480	460	7	6	ВКРН-4,5ДУ; ВКРВ-4,5ДУ; ВРКО-4,5
510	530	510	7	6	ВКРН-5ДУ; ВКРВ-5ДУ; ВО-5ДУ; ВР-5ДУ; ВРКО-5
504	560	504	12	12	УВОП-5
563	620	563	12	12	УВОП-Д-5
570	590	570	10	6	ВКРН-5,6ДУ; ВКРВ-5,6ДУ
640	660	640	10	6	ВКРН-6,3ДУ; ВКРВ-6,3ДУ; ВР-6,3ДУ; ВКРН-7,1ДУ; ВРКО-6,3; ВРКО-7,1
634	690	634	12	16	УВОП-6,3; ВО-6,3ДУ
713	770	713	12	12	УВОП-Д-6,3
720	760	720	10	6	ВКРВ-7,1ДУ
810	850	810	10	6	ВКРН-8ДУ; ВКРВ-8ДУ; ВР-8ДУ; ВРКО-8
806	860	806	12	16	УВОП-8; ВО-8ДУ
904	960	904	12	12	УВОП-Д-8
910	950	910	10	8	ВКРН-9ДУ; ВРКО-9
1015	1040	1015	10	8	ВКРН-10ДУ; ВР-10ДУ; ВРКО-10
1006	1070	1006	12	16	УВОП-10; ВО-10ДУ
1123	1190	1123	12	12	УВОП-Д-10
1135	1165	1135	12	8	ВКРН-11,2ДУ; ВРКО-11,2
1270	1295	1270	12	16	ВКРН-12,5ДУ; ВР-12,5ДУ; ВКРН-14ДУ; ВРКО-12,5; ВРКО-14
1256	1320	1256	12	16	УВОП-12,5; ВО-12,5ДУ
1407	1470	1407	12	12	УВОП-Д-12,5
1620	1675	1620	12	12	ВО-16ДУ

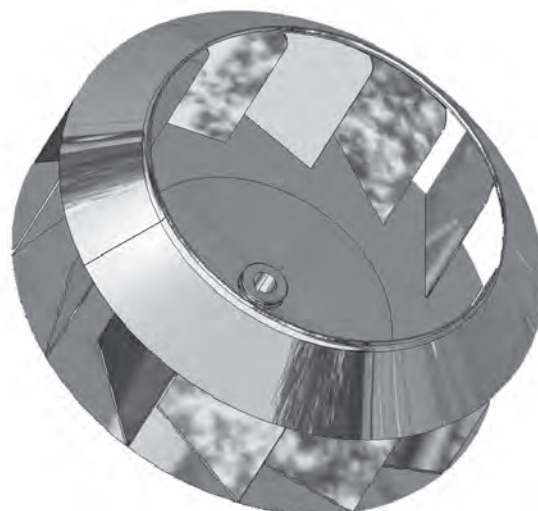
Note:

- 1) General purpose industrial grade and frost-resistant version of round-section flexible ducts are designed for УВОП (UVOP) series fans; heat-resistant version is designed for ВКРВ (VRKV), ВКРН (VRKN), and ВО (VO) series fans.
- 2) Round-section flexible ducts for ВР ДУ (VR DU) series fans are manufactured in heat-resistant version; Round-section flexible ducts for ВР (VR) series fans are manufactured in general purpose industrial grade, acid-proof, corrosion-proof, and frost-resistant versions.

Cleaning of Ducted Fan Impellers

Before cleaning, make sure that:

- ◆ Supply voltage is cut off
- ◆ Switch is blocked
- ◆ Fan impeller is at full stop
- ◆ Motor and impeller are cold.



Cleaning of ВРПП (VRPP), ВИП (VIP), ВИПм (VIPm), and ВРКК (VRKK) ducted fan impellers from grease, dust and other contaminants shall be performed using regular household cleaning products except for chemically aggressive substances. Do not use sharp objects and high-pressure devices.

Access to impeller is provided unscrewing bolts fastening fan cover to the housing and removing fan cover (unlock clamps in case of ВИПм (VIPm)).

Access to the impeller of ВРПВ-Н (VRPV-N), ВРПН-Н(НК) (VRPN-N (NK)), and ВРПН-НВК (VRPN-NVK) fans is provided either from air emission side of the fan or by means of removing the cover together with electric motor and impeller mounted on that cover unscrewing fastening bolts.